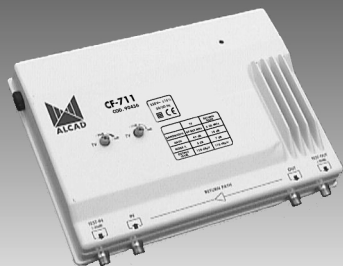




- ▶ AMPLIFICADORES MULTIBANDA
- ▶ MULTIBAND AMPLIFIERS
- ▶ AMPLIFICATEURS MULTIBANDE
- ▶ AMPLIFICADORES MULTIBANDA
- ▶ MEHRBEREICHsverstärker



**SERIE/RANGE 904**

**CARACTERISTICAS PRINCIPALES****MAIN FEATURES****PRINCIPALES CARACTERISTIQUES****CARACTERISTICAS PRINCIPAIS****WESENTLICHE KENNZEICHEN**

CODIGO-CODE-CODE-CODIGO-CODE		90431		90436	
TIPO-TYPE-TYPE-TIPO-TYP		CF-111		CF-711	
RANGO DE FRECUENCIAS FREQUENCY RANGE GAMME DE FREQUENCES RANGO DE FREQUENCIAS FREQUENZBEREICH	Band	RETURN	TV	RETURN	TV
	MHz	5 - 30	47 - 862	5 - 30	47 - 862
GANANCIA GAIN GAIN GANHO VERSTARKUNG	dB	10 ± 1	38 ± 2	16 ± 1	47 ± 2
REGULACION DE GANANCIA GAIN ADJUST REGLAGE DE GAIN REGULACAO DO GANHO VERSTARKUNGSGRAD-REGELUNG	dB	-	20	-	20
MARGEN DE ECUALIZACION ADJUSTABLE EQUALIZATION RANGE PLAGE DE REGLAGE DE PENTE MARGEM DE EQUALIZACAO REGELBARE ENTZERRUNG	dB	-	18	-	18
TEST DE SALIDA OUTPUT TEST POINT SORTIE TEST SAIDA DE TEST TESTAUSGANG	dB	-30	-30	-30	-30
NIVEL DE SALIDA OUTPUT LEVEL NIVEAU DE SORTIE NIVEL DE SAIDA AUSGANGSPEGEL	dB $\mu$ V	110 DIN 45004B	113 DIN 45004B	110 DIN 45004B	120 DIN 45004B
		107 (IMD <sub>3</sub> -60 dB)	110 (IMD <sub>3</sub> -60 dB)	107 (IMD <sub>3</sub> -60 dB)	117 (IMD <sub>3</sub> -60 dB)
NIVEL DE SALIDA OUTPUT LEVEL NIVEAU DE SORTIE NIVEL DE SAIDA AUSGANGSPEGEL	dB $\mu$ V	90 (IMD <sub>2</sub> -60 dB)	103 (IMD <sub>2</sub> -60 dB)	90 (IMD <sub>2</sub> -60 dB)	110 (IMD <sub>2</sub> -60 dB)
		-	95 CTB 99 CSO 95 XMOD	-	103 CTB 104 CSO 102 XMOD
FIGURA DE RUIDO NOISE FIGURE FACTEUR DE BRUIT FIGURA DE RUIDO RAUSCHMAß	dB	≤8,5	≤8,5	≤8,5	≤8,5

DIN 45004B: 3 unequal carriers, IMD<sub>3</sub> at 60 dBIMD<sub>3</sub>-60 dB: 2 equal carriers, EN 50083-3IMD<sub>2</sub>-60 dB: 2 equal carriers, EN 50083-3

CTB -60 dB: 42 equal carriers, EN 50083-3

CSO -60 dB: 42 equal carriers, EN 50083-3

XMOD -60 dB: 42 equal carriers, EN 50083-3

**CARACTERISTICAS PRINCIPALES****MAIN FEATURES****PRINCIPALES CARACTERISTIQUES****CARACTERISTICAS PRINCIPAIS****WESENTLICHE KENNZEICHEN**

CODIGO-CODE-CODE-CODIGO-CODE		90446		90442	
TIPO-TYPE-TYPE-TIPO-TYP		CF-115		CF-715	
RANGO DE FRECUENCIAS FREQUENCY RANGE GAMME DE FREQUENCIES RANGO DE FREQUENCIAS FREQUENZBEREICH	Band	RETURN	TV	RETURN	TV
	MHz	5 - 65	86 - 862	5 - 65	86 - 862
GANANCIA GAIN GAIN GANHO VERSTARKUNG	dB	10 ± 1	38 ± 2	16 ± 1	47 ± 2
REGULACION DE GANANCIA GAIN ADJUST REGLAGE DE GAIN REGULACAO DO GANHO VERSTARKUNGSGRAD-REGELUNG	dB	-	20	-	20
MARGEN DE ECUALIZACION ADJUSTABLE EQUALIZATION RANGE PLAGE DE REGLAGE DE PENTE MARGEM DE EQUALIZACAO REGELBARE ENTZERRUNG	dB	-	18	-	18
TEST DE SALIDA OUTPUT TEST POINT SORTIE TEST SAIDA DE TEST TESTAUSGANG	dB	-30	-30	-30	-30
NIVEL DE SALIDA OUTPUT LEVEL NIVEAU DE SORTIE NIVEL DE SAIDA AUSGANGSPEGEL	dB $\mu$ V	110 DIN 45004B 107 (IMD <sub>3</sub> -60 dB)	113 DIN 45004B 110 (IMD <sub>3</sub> -60 dB)	110 DIN 45004B 107 (IMD <sub>3</sub> -60 dB)	120 DIN 45004B 117 (IMD <sub>3</sub> -60 dB)
NIVEL DE SALIDA OUTPUT LEVEL NIVEAU DE SORTIE NIVEL DE SAIDA AUSGANGSPEGEL	dB $\mu$ V	90 (IMD <sub>2</sub> -60 dB)	103 (IMD <sub>2</sub> -60 dB)	90 (IMD <sub>2</sub> -60 dB)	110 (IMD <sub>2</sub> -60 dB)
NIVEL DE SALIDA OUTPUT LEVEL NIVEAU DE SORTIE NIVEL DE SAIDA AUSGANGSPEGEL	dB $\mu$ V	-	95 CTB 99 CSO 95 XMOD	-	103 CTB 104 CSO 102 XMOD
FIGURA DE RUIDO NOISE FIGURE FACTEUR DE BRUIT FIGURA DE RUIDO RAUSCHMAß	dB	≤8,5	≤8,5	≤8,5	≤8,5

DIN 45004B: 3 unequal carriers, IMD<sub>3</sub> at 60 dBIMD<sub>3</sub>-60 dB: 2 equal carriers, EN 50083-3IMD<sub>2</sub>-60 dB: 2 equal carriers, EN 50083-3

CTB -60 dB: 42 equal carriers, EN 50083-3

CSO -60 dB: 42 equal carriers, EN 50083-3

XMOD -60 dB: 42 equal carriers, EN 50083-3

**CARACTERISTICAS PRINCIPALES****MAIN FEATURES****PRINCIPALES CARACTERISTIQUES****CARACTERISTICAS PRINCIPAIS****WESENTLICHE KENNZEICHEN**

CODIGO-CODE-CODE-CODIGO-CODE		90431	90436	90446	90442
TIPO-TYPE-TYPE-TIPO-TYP		CF-111	CF-711	CF-115	CF-715
TENSION DE RED MAINS VOLTAGE TENSION DU SECTEUR TENSÃO DE REDE NETZSPANNUNG	V~	230±15% 50/60 Hz			
	W	8		12	
TEMPERATURA DE FUNCIONAMIENTO OPERATING TEMPERATURE TEMPERATURE DE FONCTIONNEMENT TEMPERATURA DE FUNCIONAMENTO BETRIEBSTEMPERATUR	°C	-20 ... +60			
INDICE DE PROTECCION PROTECTION INDEX INDICE DE PROTECCAO SCHUTZKLASSE		IP 50D			

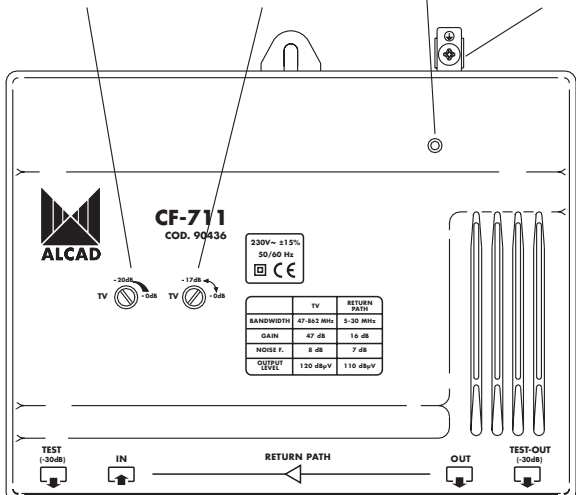
- ▶ AMPLIFICADOR CF-711
- ▶ AMPLIFIER CF-711
- ▶ AMPLIFICATEUR CF-711
- ▶ AMPLIFICADOR CF-711
- ▶ VERSTÄRKER CF-711

INDICADOR DE FUNCIONAMIENTO  
 INDICATOR OF OPERATION  
 VOYANT DE FONCTIONNEMENT  
 INDICADOR DE FUNCIONAMENTO  
 ANZEIGER FÜR ORDNUNGSGEMÄßEN BETRIEB

REGULADOR DE GANANCIA  
 GAIN REGULATOR  
 REGLAGE DE GAIN  
 REGULADOR DE GANHO  
 VERSTÄRKUNGSGRAD REGLER

ECUALIZADOR  
 TILT CONTROL  
 REGLAGE DE PENTE  
 AJUSTE DE EQUALIZAÇÃO  
 ENTZERRUNGSREGLER

CONEXION DE TIERRA  
 GROUNDING  
 PRISE DE TERRE  
 TOMADA DE TERRA  
 MASSE-ANSCHLUß



230V ~ ±15%  
 50/60 Hz  
 CE

	TV	RETURN PATH
BANDWIDTH	47-862 MHz	5-30 MHz
GAIN	47 dB	16 dB
NOISE F.	8 dB	7 dB
OUTPUT LEVEL	120 dBµV	110 dBµV

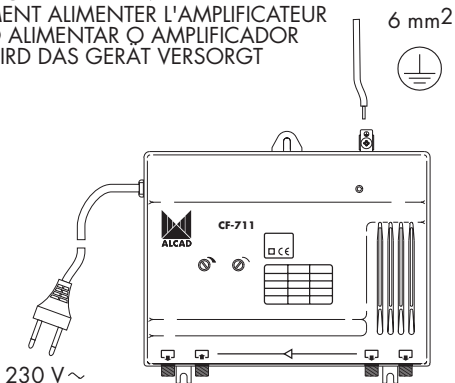
TESTE DE ENTRADA (-30dB)  
 INPUT TEST POINT (-30dB)  
 ENTREE TEST (-30dB)  
 ENTRADA DE TESTE (-30dB)  
 TESTEINGANG (-30dB)

ENTRADA  
 INPUT  
 ENTREE  
 ENTRADA  
 EINGANG

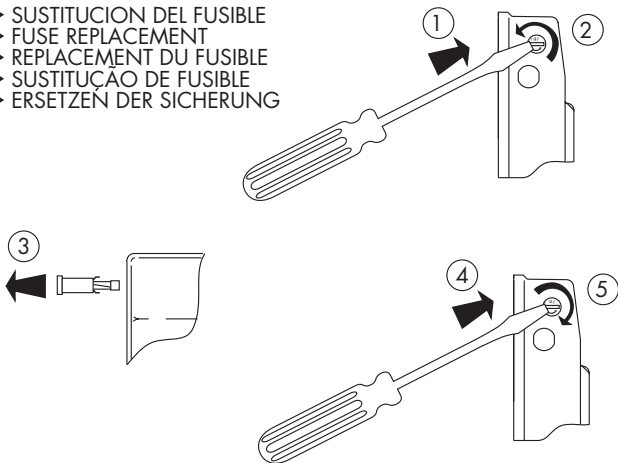
SAIDA  
 OUTPUT  
 SORTIE  
 SAIDA  
 AUSGANG

TESTE DE SAIDA (-30dB)  
 OUTPUT TEST POINT(-30dB)  
 SORTIE TEST (-30dB)  
 SAIDA DE TESTE (-30dB)  
 TESTAUSGANG (-30dB)

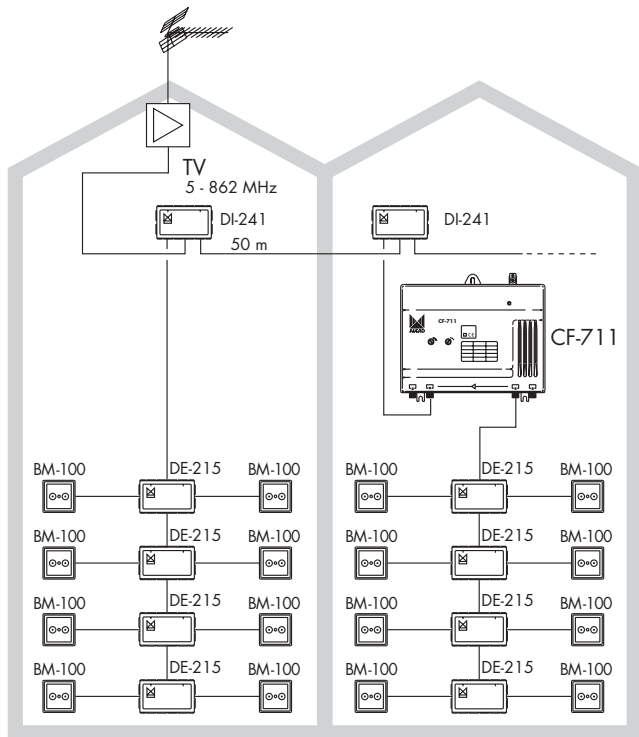
- ▶ COMO ALIMENTAR EL AMPLIFICADOR
- ▶ HOW TO FEED THE AMPLIFIER
- ▶ COMMENT ALIMENTER L'AMPLIFICATEUR
- ▶ COMO ALIMENTAR O AMPLIFICADOR
- ▶ WIE WIRD DAS GERÄT VERSORGT



- ▶ SUSTITUCION DEL FUSIBLE
- ▶ FUSE REPLACEMENT
- ▶ REMPLACEMENT DU FUSIBLE
- ▶ SUSTITUIÇÃO DE FUSÍVEL
- ▶ ERSETZEN DER SICHERUNG



- ▶ ESQUEMAS TÍPICOS CF-111/CF-711/CF-115/CF-715
- ▶ CONNECTION DIAGRAMS CF-111/CF-711/CF-115/CF-715
- ▶ SCHEMAS DE CONNEXION CF-111/CF-711/CF-115/CF-715
- ▶ ESQUEMAS TÍPICOS CF-111/CF-711/CF-115/CF-715
- ▶ VERDRÄHTUNGSPLAN CF-111/CF-711/CF-115/CF-715





# DECLARATION OF CONFORMITY

according to EN 45014

**Manufacturer's Name:** ALCAD, S.A.  
**Manufacturer's Address:** Polígono Industrial de Ventas  
C/Gabiria, 15 - Apdo. 455  
**20305 IRUN** (Guipúzcoa)  
**SPAIN**

declares that the product

**Product Name:** 904 Series: AMPLIFIERS  
**Model Number(s):** CF-111, CF-711, CF-115, CF-715

**Product Option(s):** INCLUDING ALL OPTIONS

is in conformity with:

Safety: EN50083-1

EMC: EN 50083-2, EN 50081-1 Electromagnetic Compatibility for Equipment  
IEC 61000-4-2:1995 / EN 50082-1:1997 ESD 8KV AD, 4KV CD.  
IEC 61000-4-4:1995 / EN 50082-1:1997 EFT 0,5KV-5KHz Sig. Lines, 1KV-5KHz Power Lines.  
IEC 61000-4-5:1995 / EN 50082-1:1997 CWG 1KV Power Lines.  
IEC 61000-4-11:1994 / EN 50082-1:1997 Dips and Variation.

Technical Features : EN50083-3

## Supplementary Information:

The product herewith complies with the requirements of the Low Voltage Directive 73/23/ECC, and the EMC Directive 89/336/EEC and their relevant amendments, gathered under the directives 93/68/EEC.

Note: to comply with these directives, do not use the products without covers and operate the system as specified.



Irún,

12-03-01

Date

Anton Galarza / General Manager



**ALCAD, S.A.**  
Tel. 943 63 96 60  
Fax 943 63 92 66  
Int. Tel. +34 - 943 63 96 60  
info@alcad.net  
Apdo. 455 - C/GABIRIA, 15  
**20305 IRUN** - Spain  
Tel. 21 - 716 10 36  
Fax 21 - 716 41 09  
R. Dr. JOAQUIM MANSO, 12A  
**1500 LISBOA** - Portugal

Tel. 00 34 - 943 63 96 60  
Fax 00 34 - 943 63 92 66  
B.P. 284  
**64702 HENDAYE** - France

Tel. 080 38 - 91 73  
Fax 080 38 - 91 74  
HOLZHAUSEN, 11  
**83556 GRIESSTATT** - Deutschland



ISO 9001

