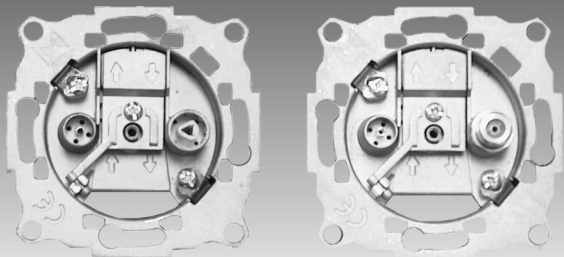




- ▶ BASES DE TOMA TV-FM-SAT
- ▶ TV-FM-SAT OUTLETS
- ▶ PRISES TV-FM-SAT
- ▶ TOMADAS TV-FM-SAT
- ▶ TV-FM-SAT DOSEN



SERIE/RANGE 907

CARACTERISTICAS PRINCIPALES

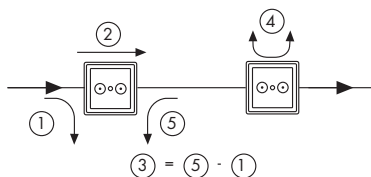
MAIN FEATURES

PRINCIPALES CARACTERISTIQUES

CARACTERISTICAS PRINCIPAI

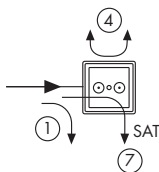
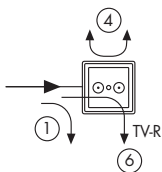
WESENTLICHE KENNZEICHEN

CODIGO-CODE-CODE-CODIGO-CODE		90768	90769	90770	90771	90772
TIPO-TYPE-TIPO-TYP		BS-110	BS-111	BS-210	BS-510	BS-710
RANGO DE FRECUENCIAS FREQUENCY RANGE GAMME DE FREQUENCE RANGO DE FRECUENCIAS FREQUENZBEREICH		MHz	5 - 2400	13-2400	5 - 2400	
① ATENUACION BASIC LOSS ATTENUATION ATENUAÇÃO DÄMPFUNG	FM	3,7±0,3	3,7±0,3	10,0±1,0	14,5±0,5	20,0±1,0
	TV	4,0±0,5	4,0±0,5	10,0±1,0	14,5±1,0	20,0±1,0
	SAT	5,0±1,2	5,0±1,2	12,0±2,0	15,0±2,0	20,0±2,0
② ATENUACION DE PASO THROUGH LOSS ATTENUATION DE PASSAGE ATENUAÇÃO DE PASSAGEM DURCHGANGSDÄMPFUNG	FM	-	-	2,5±0,5	1,0±0,2	0,7±0,2
	TV	-	-	2,5±0,7	1,0±0,3	0,9±0,3
	SAT	-	-	3,0±1,0	2,0±1,0	1,3±0,6
③ DIRECTIVIDAD DIRECTIVITY DIRECTIVITE DIRECTIVIDADE	FM	-	-	>20,0	>25,5	>20,0
	TV	-	-	>12,0	>13,5	>20,0
	SAT	-	-	>5,0	>5,0	>10,0
④ DESACOPLO ISOLATION DECOUPLAGE ISOLAMENTO ENTKOPPLUNG	FM	>20	>15	>45	>13	>17
	TV	>20	>10	>30	>13	>17
	SAT	>14	>8	>28	>13	>17
PERDIDAS DE RETORNO RETURN LOSS PERTES DE RETOUR PERDAS DE RETORNO RÜCKFLUßDÄMPFUNG	FM	>16	>13	>13	>16	>20
	TV	>16	>12	>12	>16	>17
	SAT	>9	>9	>12	>16	>16
PASO DE CORRIENTE DC BYPASS PASSAGE D'ALIMENTATION PASSAGEM DE CORRENTE SPANNUNGSVERSORGUNG		V ∴ mA	34 (max) 500 (max) 22KHz / DISECC			

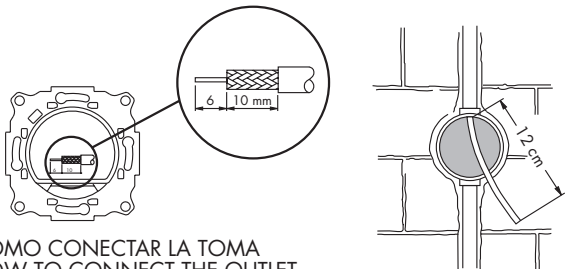


CARACTERISTICAS PRINCIPALES**MAIN FEATURES****PRINCIPALES CARACTERISTIQUES****CARACTERISTICAS PRINCIPAIS****WESENTLICHE KENNZEICHEN**

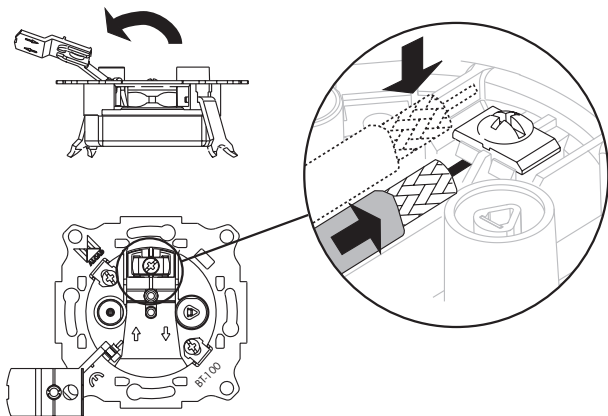
CODIGO-CODE-CODE-CODIGO-CODE		90773	90762
TIPO-TYPE-TYPE-TIPO-TYP		BS-112	BS-100
RANGO DE FRECUENCIAS FREQUENCY RANGE GAMME DE FREQUENCE RANGO DE FRECUENCIAS FREQUENZBEREICH	MHz	TV-R	13 - 862
		SAT	930 - 2400
① ATENUACION BASIC LOSS ATTENUATION ATENUACAO DAMPFUNG	dB	FM	0,2±0,1
		TV	1,0±0,5
		SAT	1,2±0,6
④ DESACOPLO ISOLATION DECOUPLAGE ISOLAMENTO ENTKOPPLUNG	dB	FM	>45
		TV	>14
		SAT	>14
SELECTIVIDAD SELECTIVITY SELECTIVITE SELECTIVIDADE SELEKTIV	dB	⑥ TV-R	>15
		⑦ SAT	>15
PERDIDAS DE RETORNO RETURN LOSS PERTES DE RETOUR PERDAS DE RETORNO RÜCKFLUßDAMPFUNG	dB	FM	>25
		TV	>14
		SAT	>10
PASO DE CORRIENTE DC BYPASS PASSAGE D'ALIMENTATION PASSAGEM DE CORRENTE SPANNUNGSVERSORUNG	V ∴	34 (max)	
	mA	500 (max)	
		22KHz / DISECCQ	



- ▶ COMO CONECTAR EL CABLE COAXIAL
- ▶ CONNECTING COAXIAL CABLE
- ▶ COMMENT CONNECTER LE CABLE COAXIAL
- ▶ COMO CONECTAR O CABO COAXIAL
- ▶ VERBINDUNG EINES KOAXIALKABELS

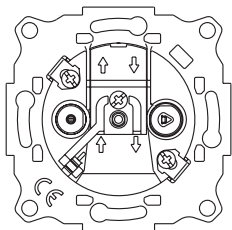


- ▶ COMO CONECTAR LA TOMA
- ▶ HOW TO CONNECT THE OUTLET
- ▶ COMMENT CONNECTER LA PRISE
- ▶ COMO CONECTAR A TOMADA
- ▶ VERBINDUNG EINES DOSES

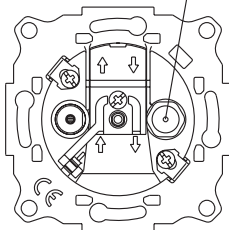


- ▶ BASES DE TOMA
- ▶ OUTLETS
- ▶ PRISES
- ▶ TOMADAS
- ▶ DOSEN

CONECTOR F
F CONNECTOR
CONNTEUR F
CONECTOR F
F-STECKER

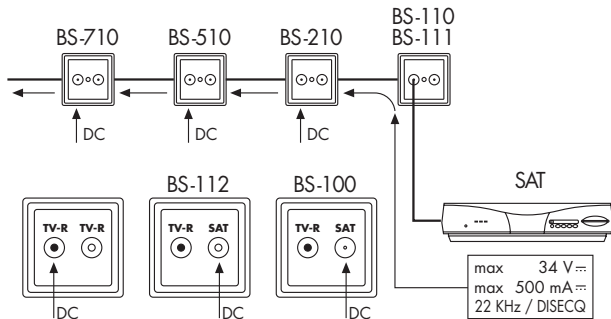


BS-110 BS-111 BS-112
BS-210 BS-510 BS-710

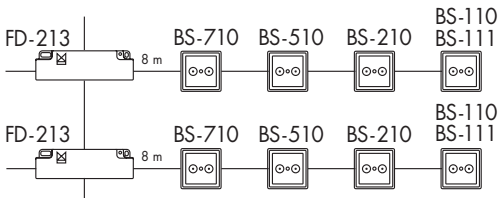
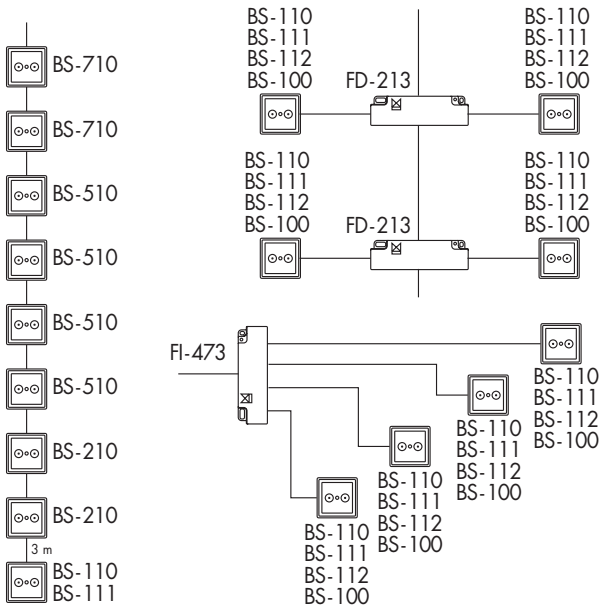


BS-100

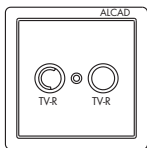
- ▶ PASO DE CORRIENTE EN TOMAS SMATV
- ▶ DC PATH IN SMATV OUTLETS
- ▶ PASSAGE D'ALIMENTATION SUS LES PRISES SMATV
- ▶ PASSAGEM DE CORRENTE EM TOMADAS SMATV
- ▶ DC DURCHLOß BEI ANTENNENDOSEN IN SMATV



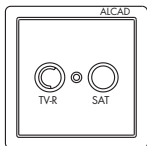
- ▶ ESQUEMAS TÍPICOS PARA SMATV
- ▶ CONNECTION DIAGRAMS FOR SMATV
- ▶ SCHEMAS DE CONNEXION POUR SMATV
- ▶ ESQUEMAS TÍPICOS PARA SMATV
- ▶ VERDRAHTUNGSPLAN FÜR SMATV



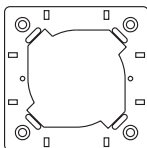
▶ ACCESORIOS
▶ ACCESSORIES
▶ ACCESSOIRES
▶ ACESSÓRIOS
▶ ZUBEHÖR



EM-201 (COD. 90721)
TV-FM-SAT (SMATV)
Carátula para base de toma
Front plate for outlet
Enjoliveur pour prise
Caratula para tomada
Dosendeckel für dose



EM-202 (COD. 90722)
TV-FM/SAT (SMATV)
Carátula para base de toma
Front plate for outlet
Enjoliveur pour prise
Caratula para tomada
Dosendeckel für dose



SB-003 (COD. 90775)
Suplemento para montaje en superficie
Accessory for surface mounting
Supplément pour montage en saillie
Suplemento para montagem em superficie
Aufputzsockel für dose



RF-075 (COD. 90650)
Carga de 75 Ω
Load 75 Ω
Charge de 75 Ω
Carrega de 75 Ω
Last 75 Ω



DECLARATION OF CONFORMITY

according to EN 45014

Manufacturer's Name: ALCAD, S.A.

Manufacturer's Address: Polígono Industrial de Ventas
C/Gabiria, 15 - Apdo. 455
20305 IRUN (Guipúzcoa)
SPAIN

declares that the product

Product Name: 907 Series: TV-FM/TV-FM-SAT/CATV OUTLETS

Model Number(s): BS-110, BS-111, BS-210, BS-510, BS-710
BS-112, BS-100

Product Option(s): INCLUDING ALL OPTIONS

is in conformity with:

Safety: EN50083-1

EMC: EN 50083-2, EN 50081-1 Electromagnetic Compatibility for Equipment
IEC 61000-4-2:1995 / EN 50082-1:1997 ESD 8KV AD, 4KV CD.
IEC 61000-4-4:1995 / EN 50082-1:1997 EFT 0,5KV-5KHz Sig. Lines, 1KV-5KHz Power Lines.
IEC 61000-4-5:1995 / EN 50082-1:1997 CWG 1KV Power Lines.
IEC 61000-4-11:1994 / EN 50082-1:1997 Dips and Variation.

Technical Features : EN50083-4

Supplementary Information:

The product herewith complies with the requirements of the Low Voltage Directive 73/23/ECC, and the EMC Directive 89/336/EEC and their relevant amendments, gathered under the directives 93/68/EEC.

Note: to comply with these directives, do not use the products without covers and operate the system as specified.



Irún,

13-11-00

Date

Antton Galarza / General Manager



ALCAD, S.A.
Tel. 943 63 96 60
Fax 943 63 92 66
Int. Tel. +34 - 943 63 96 60
info@alcad.net
Apdo. 455 - C/GABIRIA, 15
20305 IRUN - Spain
Tel. 21 - 716 10 36
Fax 21 - 716 41 09
R. Dr. JOAQUIM MANSO, 12A
1500 LISBOA - Portugal

Tel. 00 34 - 943 63 96 60
Fax 00 34 - 943 63 92 66
B.P. 284
64702 HENDAYE - France

Tel. 080 38 - 91 73
Fax 080 38 - 91 74
HOLZHAUSEN, 11
83556 GRIESSTATT - Deutschland



ISO 9001

