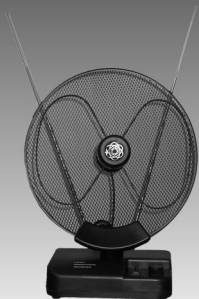




- ▶ ANTENA DE INTERIOR
- ▶ INDOOR ANTENNA
- ▶ ANTENNE D'INTERIEUR
- ▶ ANTENA DE INTERIOR
- ▶ ZIMMERANTENNE



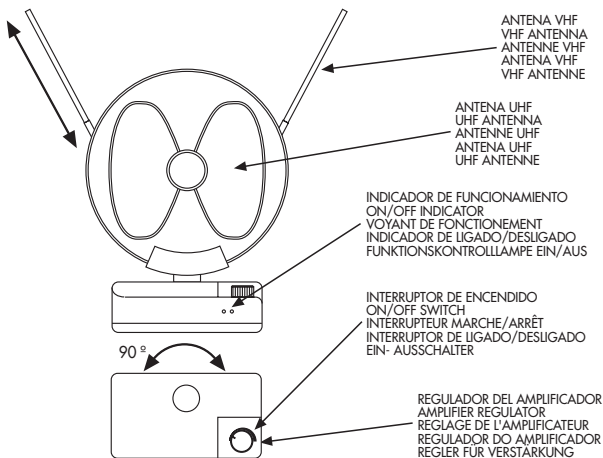
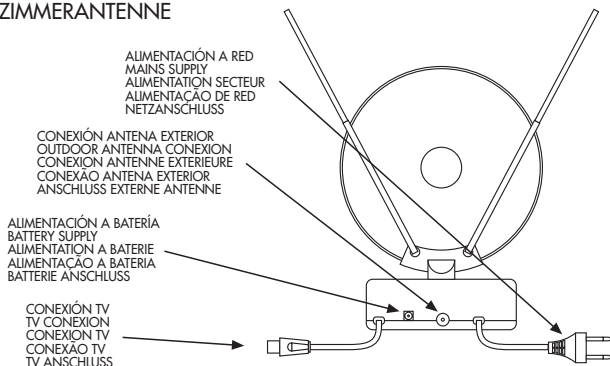
SERIE 951 SERIES

CARACTERISTICAS PRINCIPALES**MAIN FEATURES****PRINCIPALES CARACTERISTIQUES****CARACTERISTICAS PRINCIPALIS****WESENTLICHE KENNZEICHEN**

CODIGO-CODE-CODE-CODIGO-CODE		9510011	
TIPO-TYPE-TYPE-TIPO-TYP		IA-001	
RANGO DE FRECUENCIAS FREQUENCY RANGE GAMME DE FREQUENCE AMPLITUDE FREQUENCIAS FREQUENZBEREICH	Band	VHF / UHF	
	MHz	40 - 862	
IMPEDANCIA IMPEDANCE IMPEDANCE IMPEDANCIA IMPEDANZ	Ω	75	
GANANCIA GAIN GAIN GANHO VERSTÄRKUNG	dB	VHF	UHF
		20	36
MARGEN REGULACION DE GANANCIA ADJUSTABLE GAIN RANGE PLAGE DE REGLAGE DU GAIN MARGEM DE REGULACAO DO GANHO REGELBARER VERSTÄRKUNG	dB	15	25
NIVEL MÁXIMO DE SALIDA MAXIMUM OUTPUT LEVEL NIVEAU DE SORTIE MAXIMAL NIVEL DE SAIDA MAXIMO MAX AUSGANGSPEGEL	dB μ V	95	
ALIMENTACION POWER SUPPLY ALIMENTATION ALIMENTACAO NETZTEIL	V \cdots	12	
	mA	100	
TENSION DE RED MAINS VOLTAGE TENSION DU SECTEUR TENSO DE REDE NETZSPANNUNG	V \sim	230 \pm 10% 50 Hz	
	W	3,5	
TEMPERATURA DE FUNCIONAMIENTO OPERATING TEMPERATURE TEMPERATURE DE FONCTIONNEMENT TEMPERATURA DE FUNCIONAMENTO BETRIEBSTEMPERATUR	$^{\circ}$ C	-20 ... +40	

- ▶ Conmutaci3n automtica entre antena interior y exterior.
- ▶ Automatic switch between indoor and outdoor antenna.
- ▶ Commutation automatique entre antenne extrieure et antenne intrieure.
- ▶ Comutao automtica entre a antena interior e exterior.
- ▶ Automatische Umschaltung von Zimmerantenne auf externe Antenne.

- ▶ ANTENA DE INTERIOR
- ▶ INDOOR ANTENNA
- ▶ ANTENNE D'INTERIEUR
- ▶ ANTENA DE INTERIOR
- ▶ ZIMMERANTENNE





DECLARATION OF CONFORMITY

according to EN 45014

Importer's Name: ALCAD, S.A.
Importer's Address: Poligono Arreche-Ugalde,1
Apdo. 455
20305 IRUN (Guipúzcoa)
SPAIN

declares that the product

Product Name: INDOOR ANTENNA

Model Number(s): IA-001

Product Option(s): INCLUDING ALL OPTIONS

is in conformity with:

Safety: EN 60065

EMC: EN 50083-2 Electromagnetic Compatibility for equipment

Supplementary Information:

The product herewith complies with the requirements of the Low Voltage Directive 73/23/ECC, and the EMC Directive 89/336/EEC and their relevant amendments, gathered under the directives 93/68/EEC.

Note: to comply with these directives, do not use the products without covers and operate the system as specified.



Irún,

24-09-03

Date

Antton Galarza / General Manager



ALCAD, S.A.
Apdo. 455
Pol. Ind. Arreche-Ugalde,1
20305 IRUN - Spain

www.alcad.net

B.P. 284
64702 Hendaye - **FRANCE**

Rua Frederico franco paiva, 50D
2925-163 Azeitao - **PORTUGAL**

Neumarkter Straße, 86
D-81673 München - **GERMANY**

nám. V. Mrštika, 40
664 81Ostrováče - **CZECH REPUBLIC**



ISO 9001

